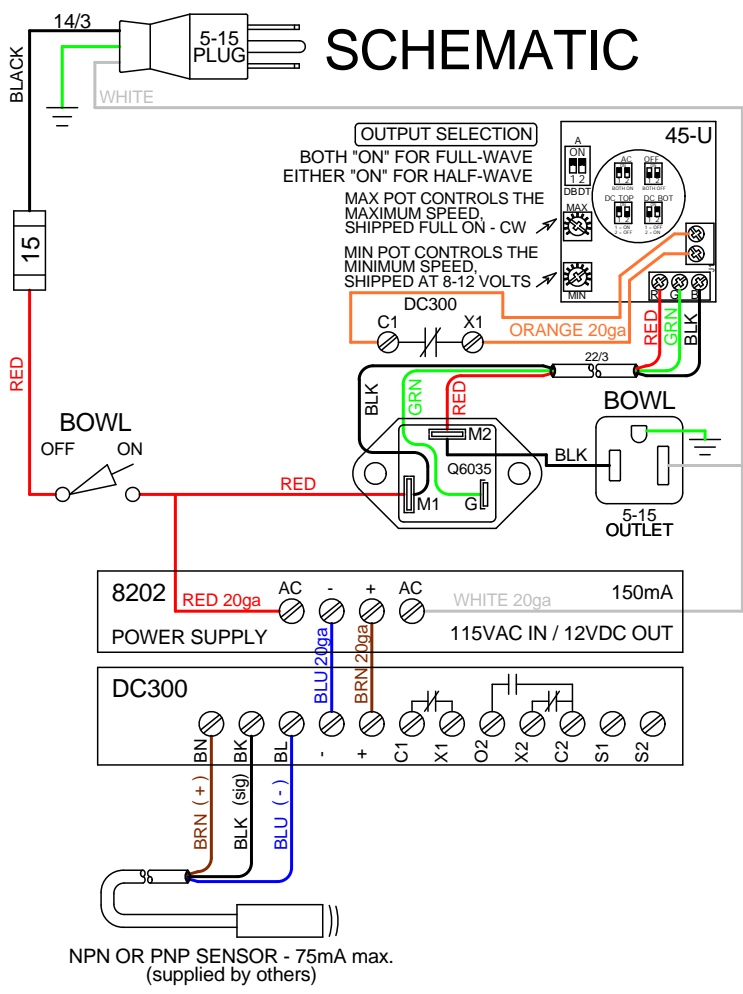


# SCHEMATIC



ALL WIRING 14ga UNLESS OTHERWISE NOTED

<b>MODEL# E150300</b>		1-26-21 REV: C
15AMP / 115VAC, 50/60Hz		MH6 ENCLOSURE (NEMA 1)
ITEM DESCRIPTION	SERVICE PART #	
BOWL CONTROL	C250E (includes 45U and Q6035)	
POWER SUPPLY - 12VDC/150mA	8202	
INPUT-TIMING-OUTPUT BOARD	DC300	
NOTES: NPN or PNP Sensor by others		

