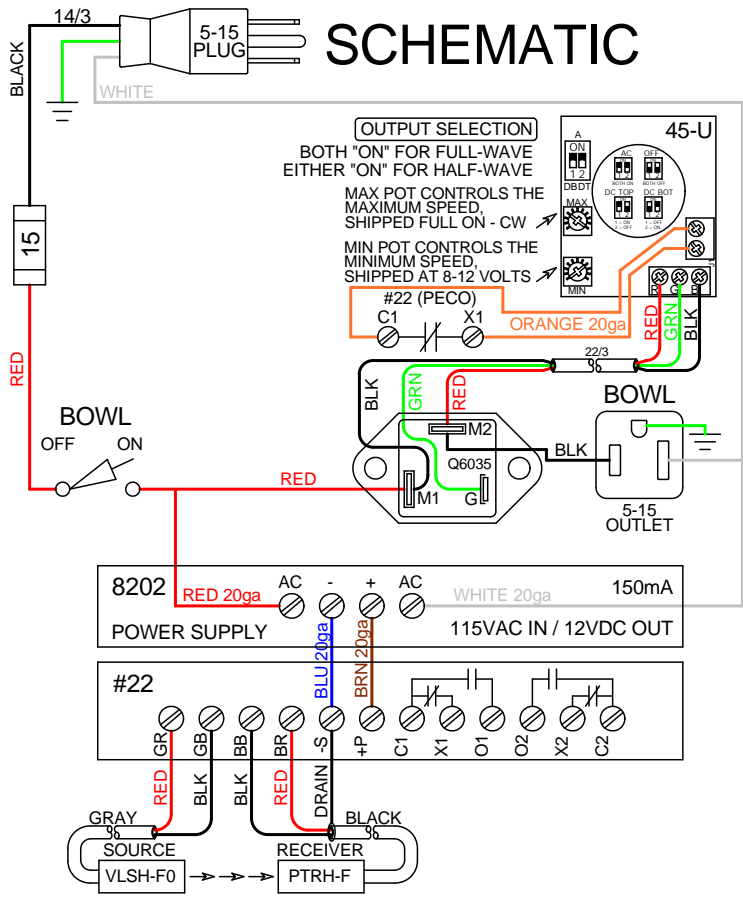




SCHEMATIC



ALL WIRING 14ga UNLESS OTHERWISE NOTED

MODEL# E150100		4-28-21 REV: C
15AMP / 115VAC, 50/60Hz		MH6 ENCLOSURE (NEMA 1)
ITEM DESCRIPTION	SERVICE PART #	
BOWL CONTROL	C250E (includes 45U and Q6035)	
POWER SUPPLY - 12VDC/150mA	8202	
PHOTOCONTROL (PECO)	#22	
SOURCE AND RECEIVER	VLSH-F0 / PTRH-F	
NOTES:		

