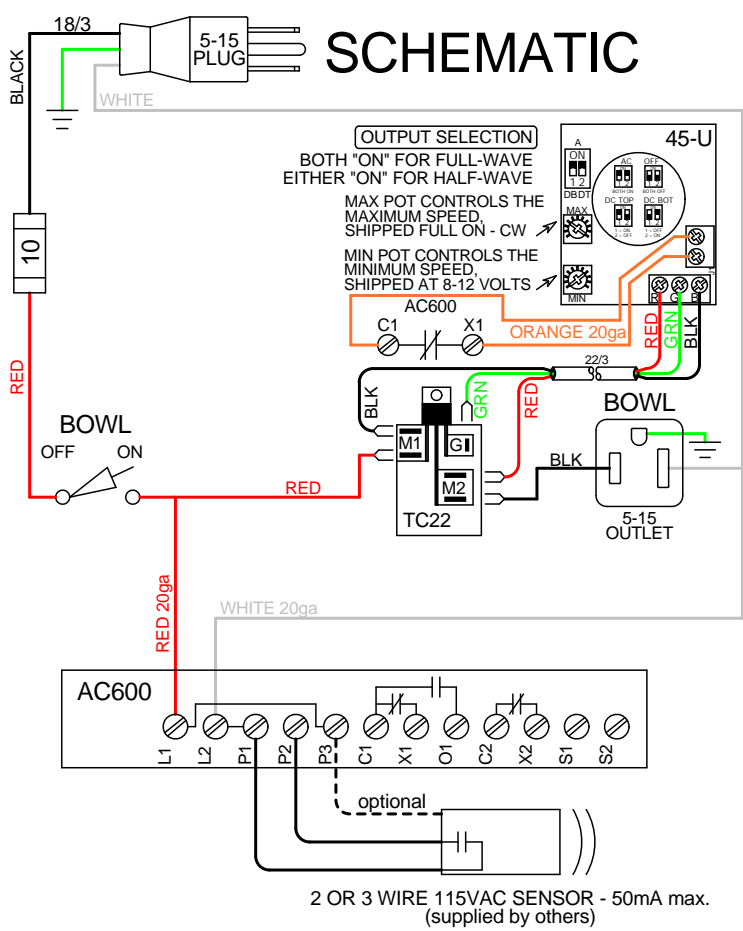




SCHEMATIC



ALL WIRING 18ga UNLESS OTHERWISE NOTED

MODEL# E100600		6-18-18 REV: B
10AMP / 115VAC, 50/60Hz		MH5 ENCLOSURE (NEMA 1)
ITEM DESCRIPTION	SERVICE PART #	
BOWL CONTROL	C150 (includes 45U and TC22)	
INPUT-TIMING-OUTPUT BOARD	AC600	
2 OR 3 WIRE SENSOR - 50mA max.	(supplied by others)	
NOTES: Full-track sensor shuts off Bowl.		

