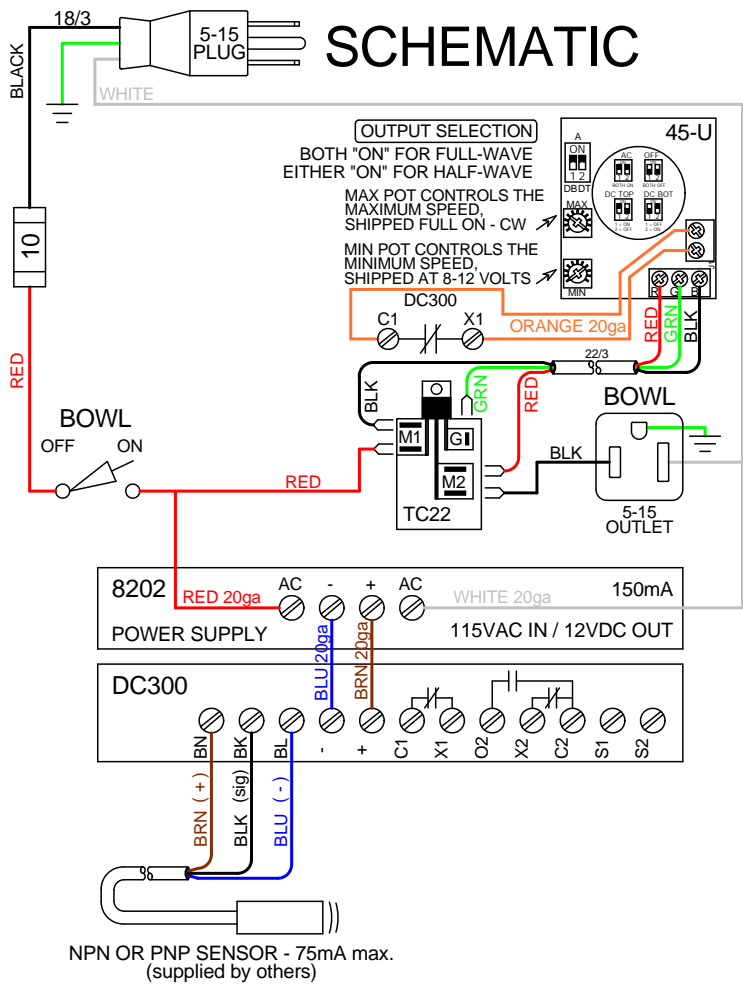


SCHEMATIC



ALL WIRING 18ga UNLESS OTHERWISE NOTED

MODEL# E100300		4-6-21 REV: C
10AMP / 115VAC, 50/60Hz	MH5 ENCLOSURE (NEMA 1)	
ITEM DESCRIPTION	SERVICE PART #	
BOWL CONTROL	C150 (includes 45U and TC22)	
POWER SUPPLY - 12VDC/150mA	8202	
INPUT-TIMING-OUTPUT BOARD	DC300	
NPN OR PNP SENSOR - 75mA max.	(supplied by others)	
NOTES: Full-track sensor shuts off Bowl.		

