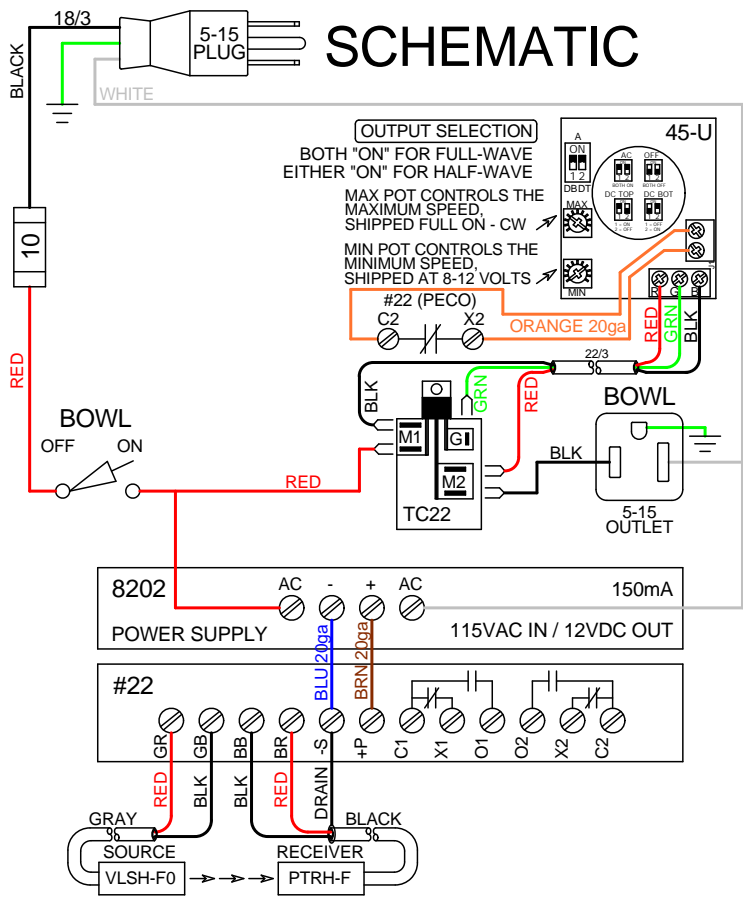




# SCHEMATIC



ALL WIRING 18ga UNLESS OTHERWISE NOTED

| <b>MODEL# E100100</b>      |                                | 4-9-21<br>REV: C |
|----------------------------|--------------------------------|------------------|
| 10AMP / 115VAC, 50/60Hz    | MH5 ENCLOSURE (NEMA 1)         |                  |
| ITEM DESCRIPTION           | SERVICE PART #                 |                  |
| BOWL CONTROL               | C150 ( includes 45U and TC22 ) |                  |
| POWER SUPPLY - 12VDC/150mA | 8202                           |                  |
| PHOTOCONTROL (PECO)        | #22                            |                  |
| SOURCE AND RECEIVER        | VLSH-F0 / PTRH-F               |                  |
| NOTES:                     |                                |                  |

