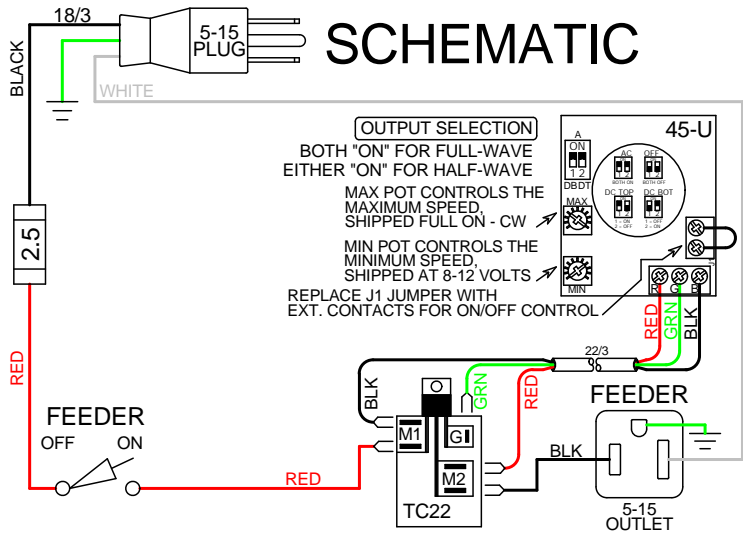




SCHEMATIC



ALL WIRING 18ga UNLESS OTHERWISE NOTED

MODEL# E025		2-4-16 REV: B
2.5AMP / 115VAC, 50/60Hz		MH2 ENCLOSURE (NEMA 1)
ITEM DESCRIPTION	SERVICE PART #	
FEEDER CONTROL	C150 (includes 45U and TC22)	
NOTES:		

