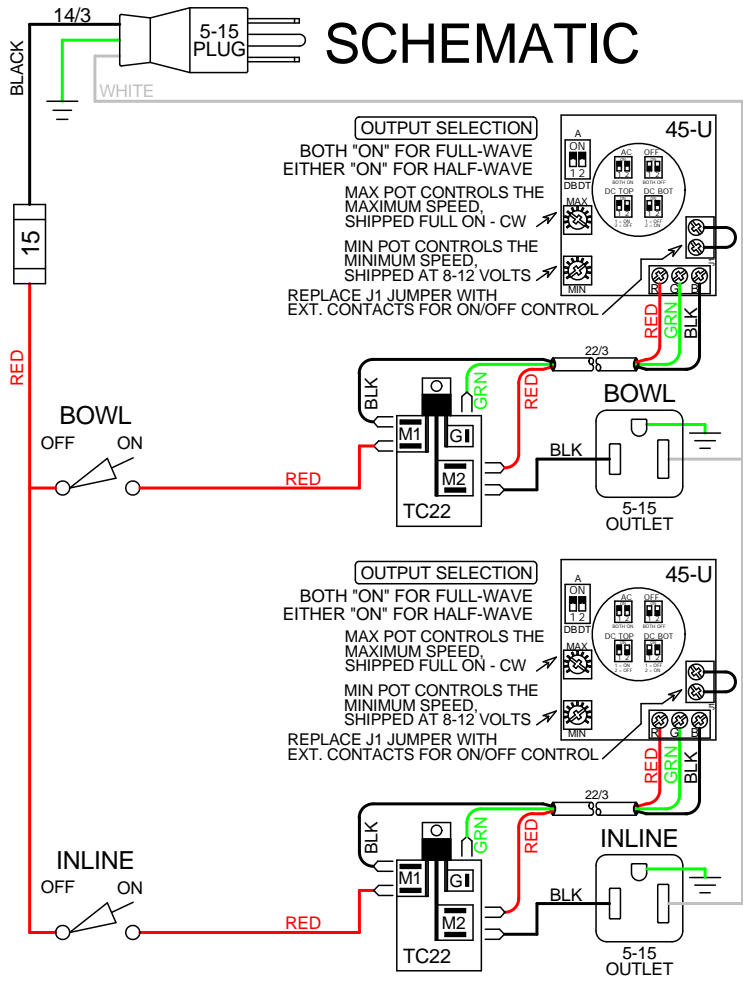




SCHEMATIC



ALL WIRING 14ga UNLESS OTHERWISE NOTED

MODEL# ED15BI		3-9-21 REV: C
15AMP / 115VAC, 50/60Hz		MH4 ENCLOSURE (NEMA 1)
ITEM DESCRIPTION	SERVICE PART #	
BOWL CONTROL	C150 (includes 45U and TC22)	
INLINE CONTROL	C150 (includes 45U and TC22)	
NOTES:		

