

X100's AIR LOGIC - Data Sheet

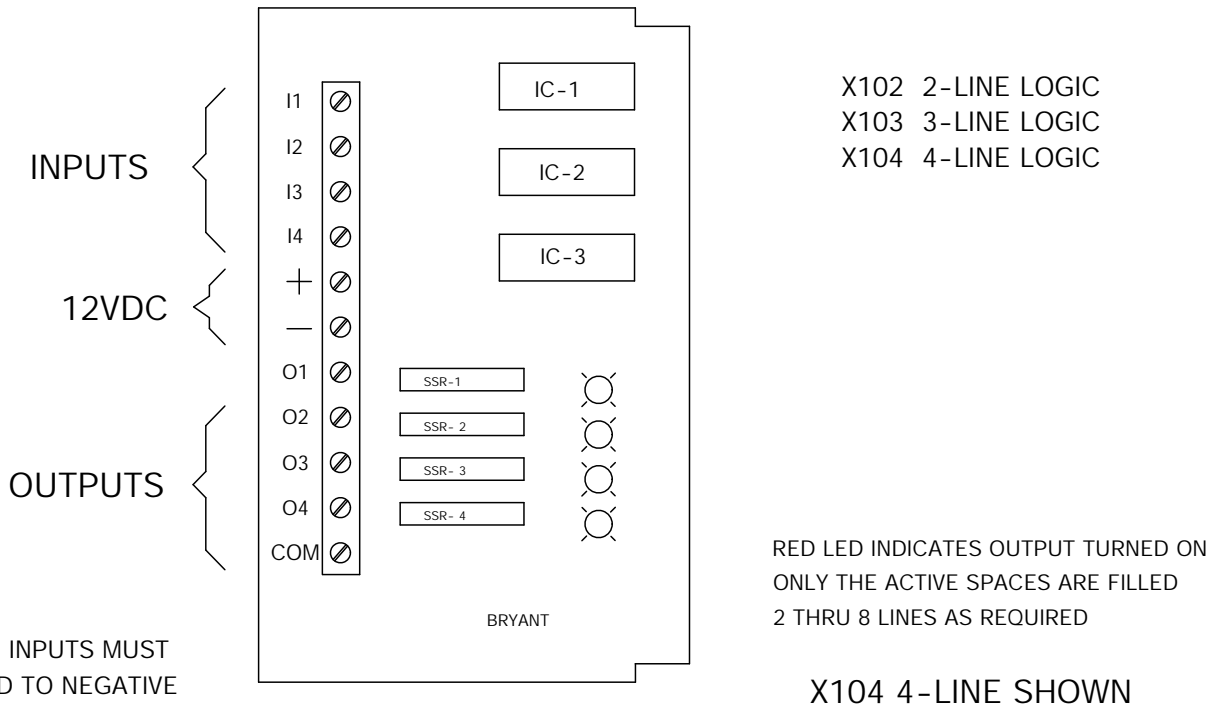
X102 THRU X104 "AIR MISER" BLOW-OFF CONTROL

DESCRIPTION

WHEN INPUT I1 IS TURNED ON, OUTPUT O1 TURNS SV1 ON
 AND SO ON THRU ALL ACTIVE CIRCUITS
 IF ALL ACTIVE INPUTS ARE TURNED ON (CALLING FOR AIR) ALL OUTPUTS (SOLENOID VALVES) TURN OFF
 OPTIONALLY; SOME SYSTEMS CAN BE WIRED THAT WHEN ALL AIR TURNS OFF, BOWL TURNS OFF

INPUTS.....NPN 12V SINKING

OUTPUTS.....120VAC 1-AMP TRIAC



ANY UNUSED INPUTS MUST
 BE JUMPERED TO NEGATIVE

NOTES _____

