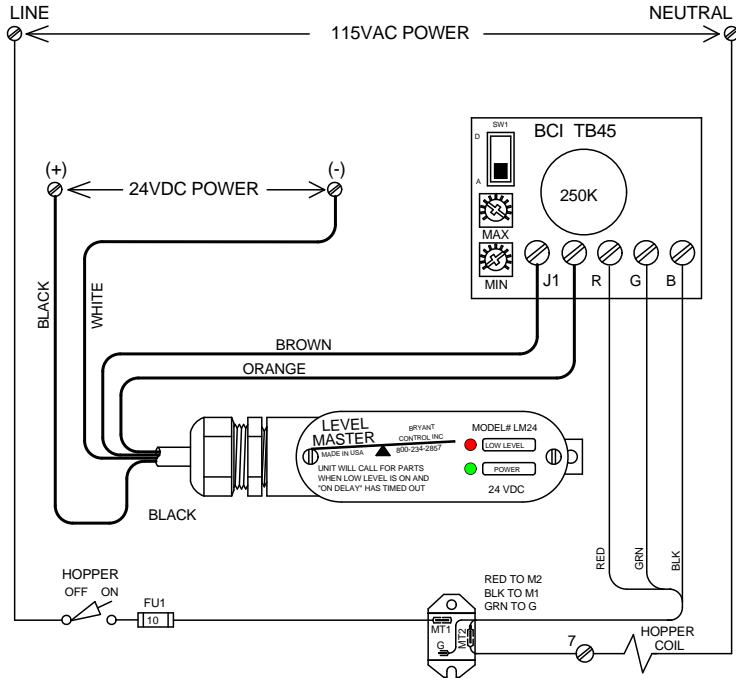
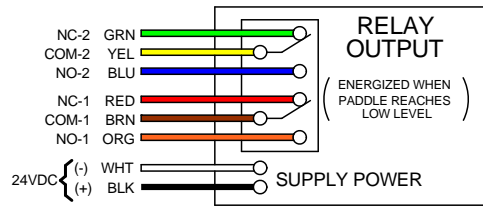
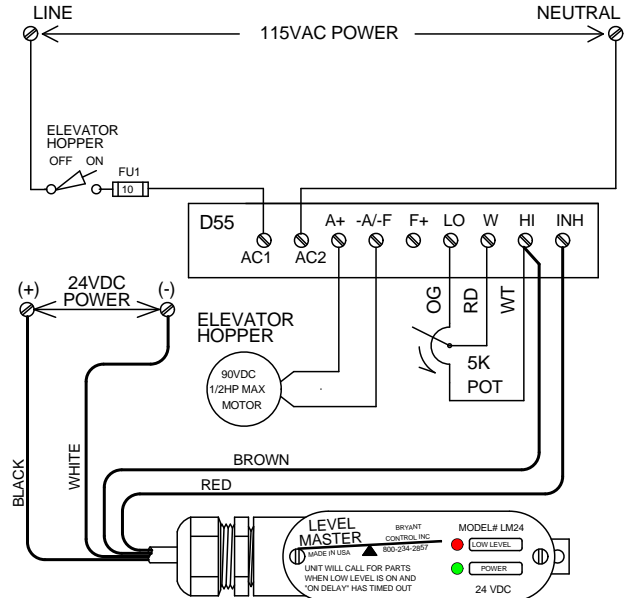


TYPICAL WIRING DIAGRAMS FOR INSTALLATION OF LM24 "LEVEL MASTER" BOWL LEVEL CONTROL

VIBRATORY HOPPER APPLICATION



DC MOTOR CONTROL APPLICATION



TYPICAL HOOKUP { J1 (ENABLE) USE BROWN & ORANGE
 D55 (INHIBIT) USE BROWN & RED

WARNING: 24VDC MUST BE FUSED POWER.

TIME DELAY ADJUSTMENT:

- 1) DISCONNECT POWER!!
- 2) REMOVE COVER AND CIRCUIT BOARD
- 3) SET "ON DELAY" TO DESIRED VALUE (0-10 SECONDS)
- 4) SET "OFF DELAY" TO DESIRED VALUE (0-10 SECONDS)
- 5) REPLACE BOARD AND COVER

- 0 SECONDS - NO DELAY
- 5 SECOND DELAY
- 10 SECOND DELAY

NOTE: OTHER DELAYS ARE POSSIBLE ANYWHERE BETWEEN THESE 0-10 SECOND SETTINGS

