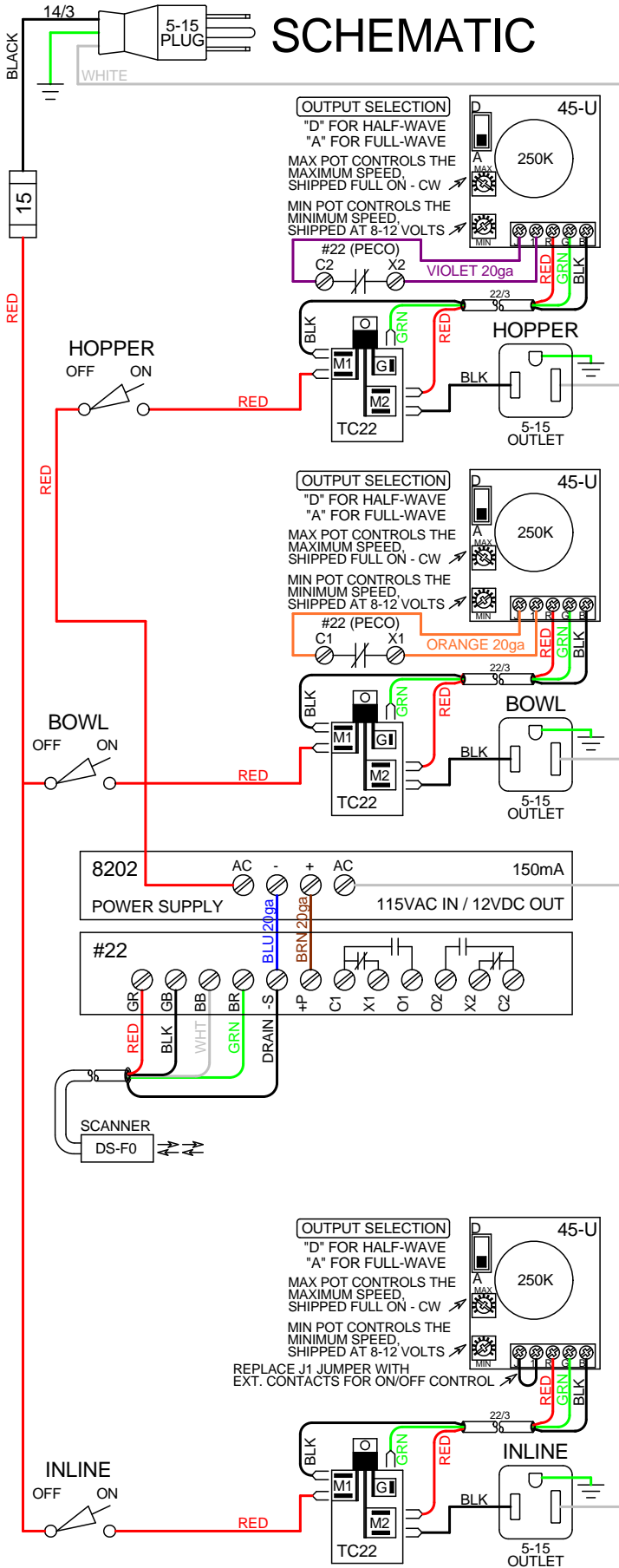




# SCHEMATIC



ALL WIRING 14ga UNLESS OTHERWISE NOTED

<b>MODEL# ET15140</b>		8-3-20 REV: C
15AMP / 115VAC, 50/60Hz	MH7 ENCLOSURE (NEMA 1)	
ITEM DESCRIPTION	SERVICE PART #	
HOPPER CONTROL	C150 (includes 45U and TC22)	
BOWL CONTROL	C150 (includes 45U and TC22)	
INLINE CONTROL	C150 (includes 45U and TC22)	
POWER SUPPLY - 12VDC/150mA	8202	
PHOTOCONTROL (PECO)	#22	
PHOTOCONTROL SCANNER	DS-F0	
<b>NOTES:</b> Bowl switch shuts off both Bowl, Hopper and PECO. Full-track photoelectric control shuts off Bowl and Hopper.		

