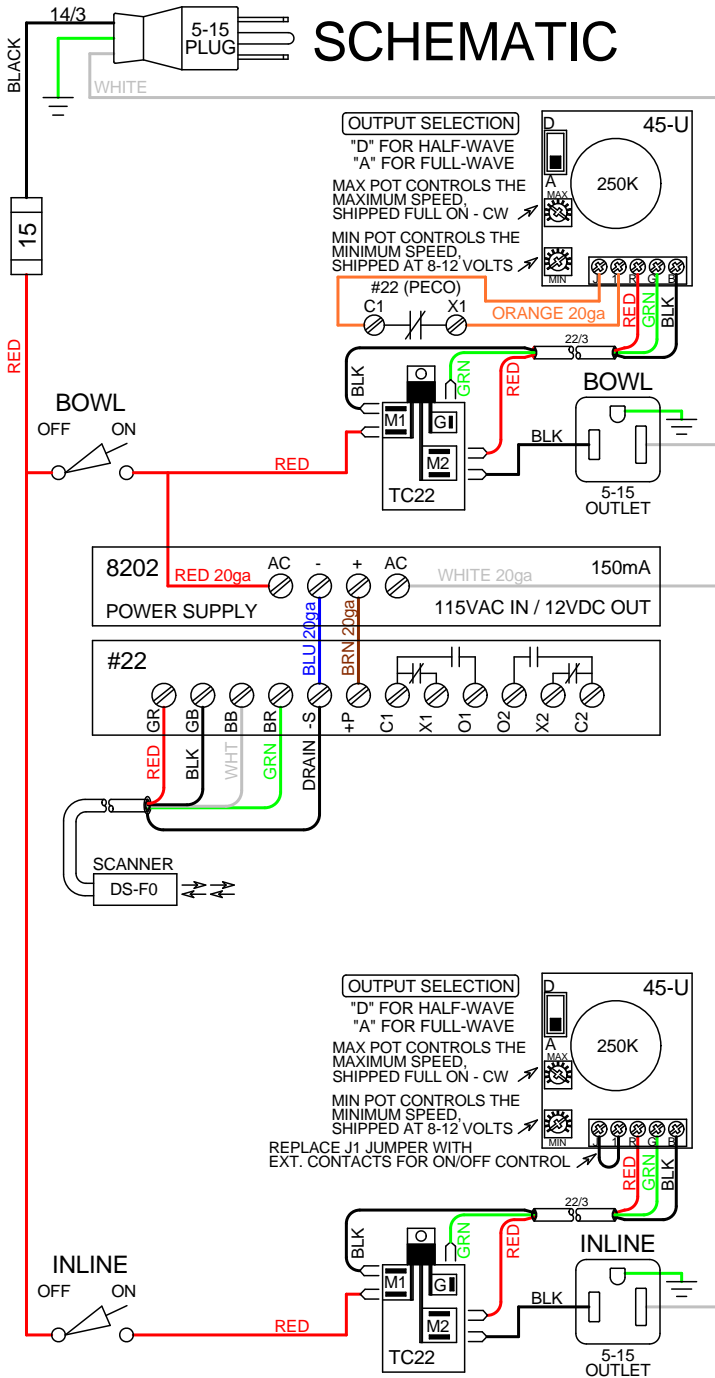




SCHEMATIC



ALL WIRING 14ga UNLESS OTHERWISE NOTED

MODEL# ED15140BI		7-27-20 REV: A
15AMP / 115VAC, 50/60Hz	MH6 ENCLOSURE (NEMA 1)	
ITEM DESCRIPTION	SERVICE PART #	
BOWL CONTROL	C150 (includes 45U and TC22)	
INLINE CONTROL	C150 (includes 45U and TC22)	
POWER SUPPLY - 12VDC/150mA	8202	
PHOTOCONTROL (PECO)	#22	
PHOTOCONTROL SCANNER	DS-F0	
NOTES:		

