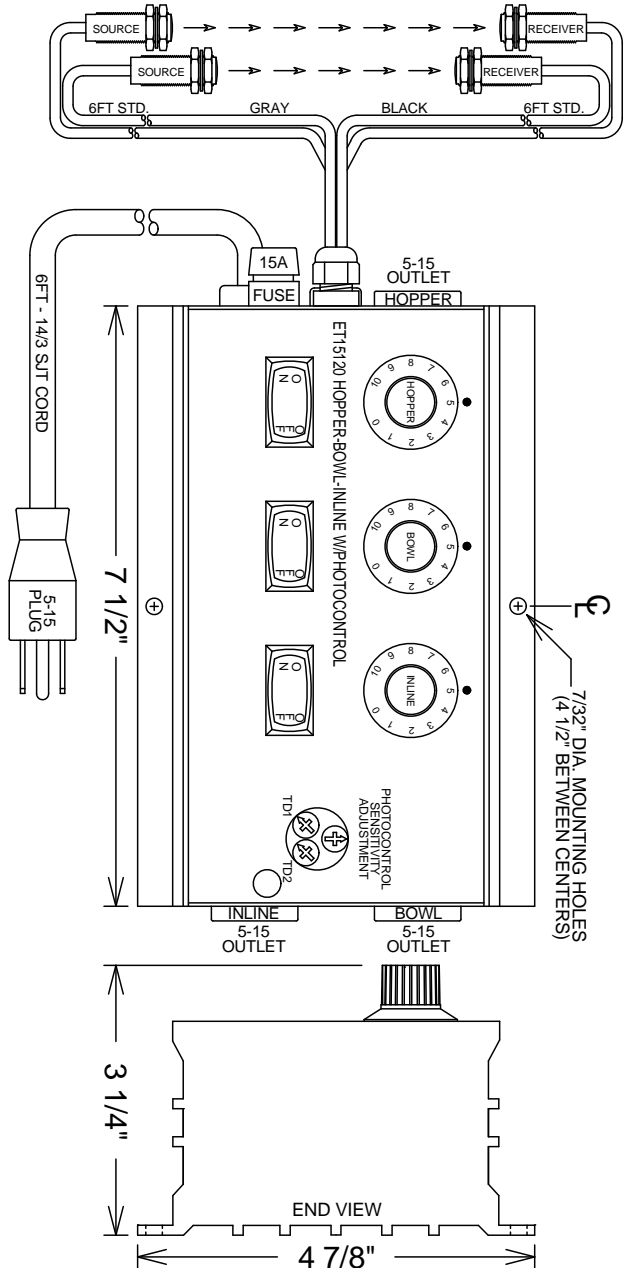


| MODEL# ET15120 | | 1-10-19 REV: A |
|---|--------------------------------|-------------------|
| 15AMP / 115VAC, 50/60Hz | MH7 ENCLOSURE (NEMA 1) | |
| ITEM DESCRIPTION | SERVICE PART # | |
| HOPPER CONTROL | C150 (includes 45U and TC22) | |
| BOWL CONTROL | C150 (includes 45U and TC22) | |
| INLINE CONTROL | C150 (includes 45U and TC22) | |
| POWER SUPPLY - 12VDC/150mA | 8202 | |
| PHOTOCONTROL (PECO) | #22 | |
| SOURCE AND RECEIVER, Qty (2) | VLSH-F0 / PTRH-F | |
| NOTES: Bowl switch shuts off both Bowl and Hopper. Full-track photoelectric control shuts off Bowl and Hopper. | | |



ALL WIRING 14ga UNLESS OTHERWISE NOTED