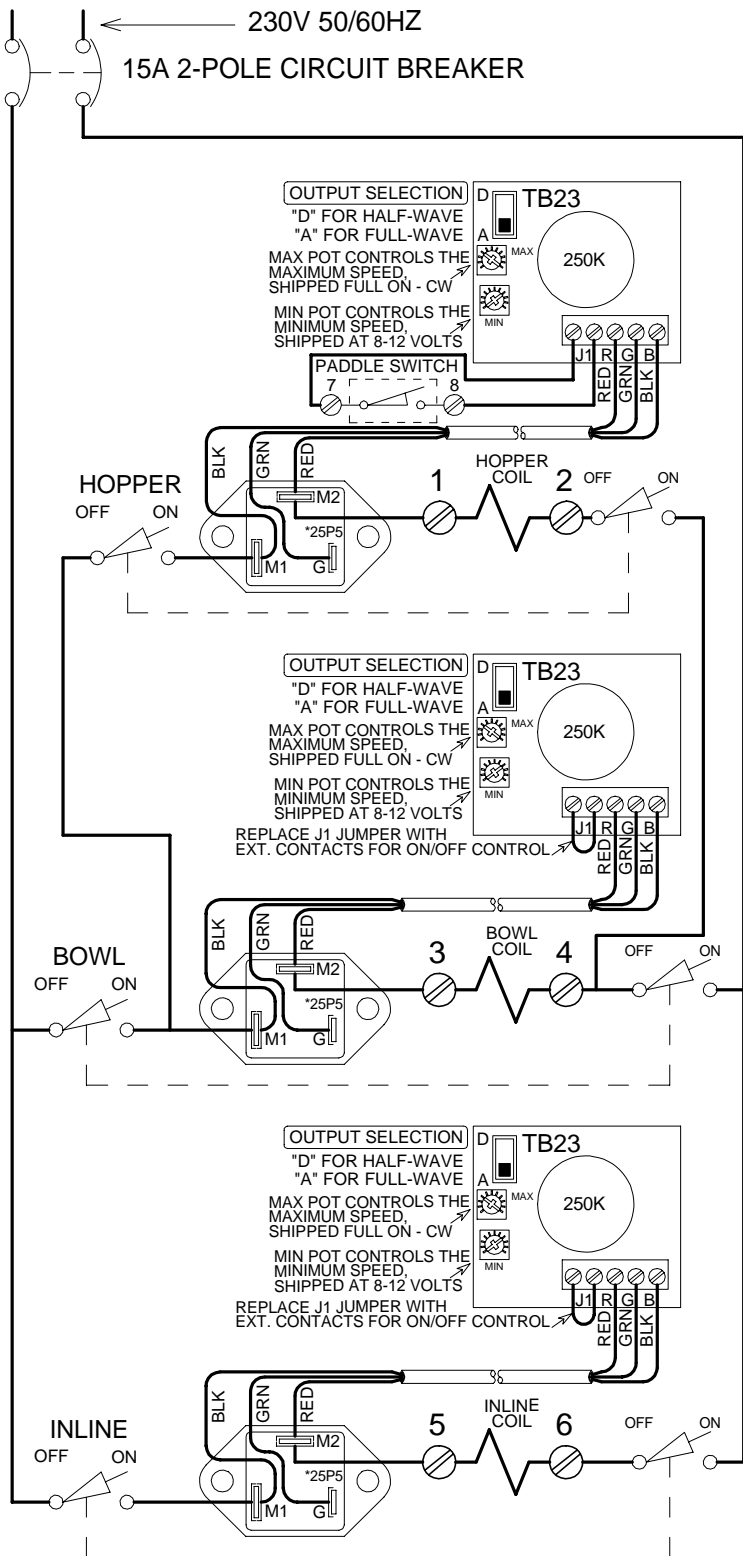
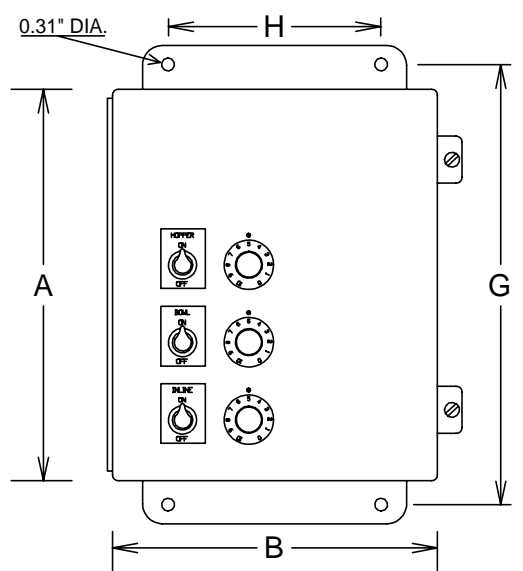




SCHEMATIC



MODEL# 3GF		8-13-09 REV: A
15AMP / 230VAC, 50/60Hz	1210 ENCL. (NEMA 12&13)	
ITEM DESCRIPTION	SERVICE PART #	
HOPPER CONTROL	C252G (includes TB23 and *25P5)	
BOWL CONTROL	C252G (includes TB23 and *25P5)	
INLINE CONTROL	C252G (includes TB23 and *25P5)	
CIRCUIT BREAKER - 2 POLE, 15A	C15A2P	
NOTES: Bowl switch shuts off both bowl and hopper. Optional Paddle Switch shuts off hopper.		



A=12.0 B=10.0 G=12.75 H=8.0 C(DEPTH)=5.0
1210 ENCLOSURE - NEMA 12 AND 13